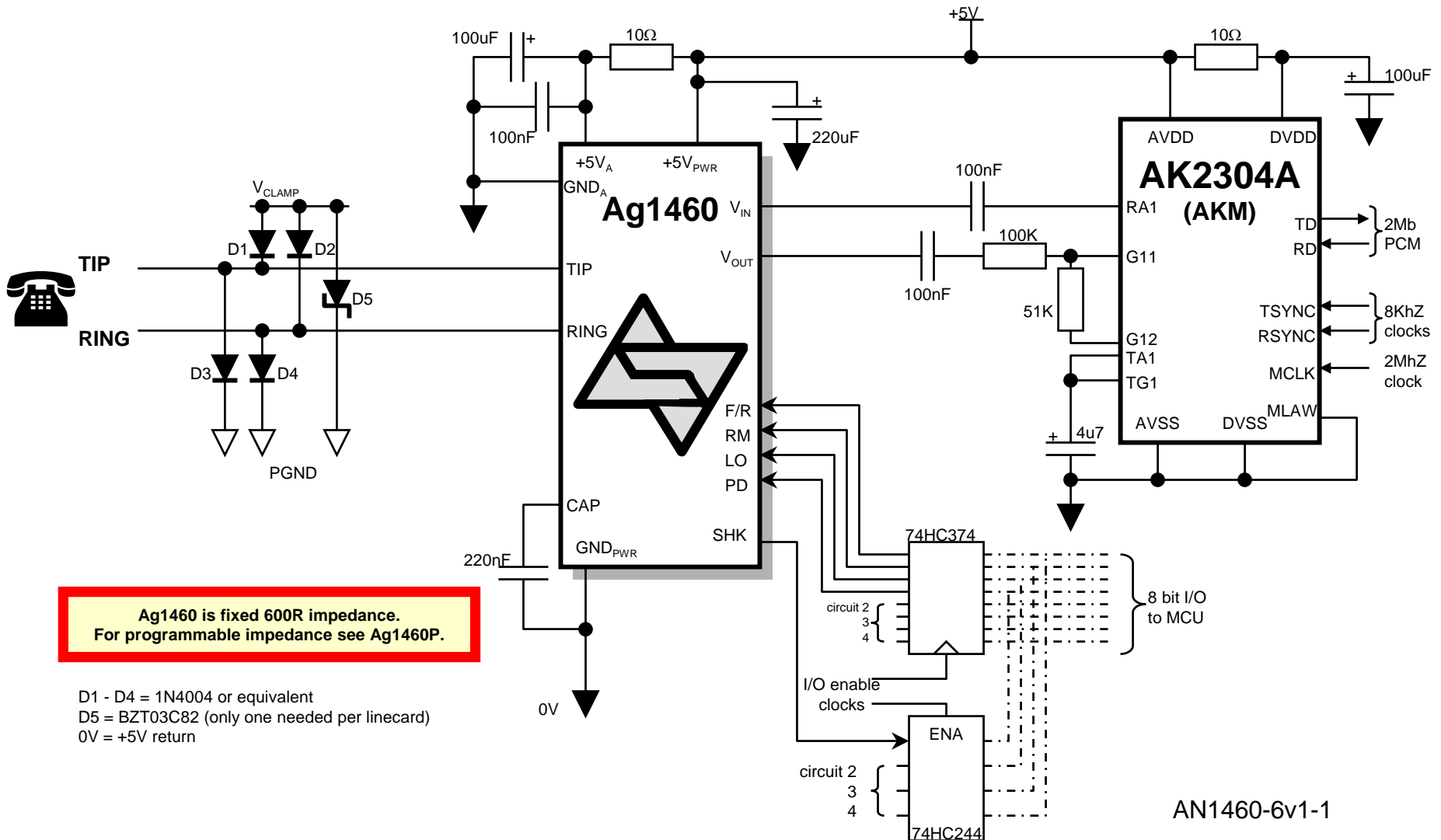


Interfacing Ag1460 to AK2304



**Ag1460 is fixed 600R impedance.
For programmable impedance see Ag1460P.**

D1 - D4 = 1N4004 or equivalent
D5 = BZT03C82 (only one needed per linecard)
0V = +5V return