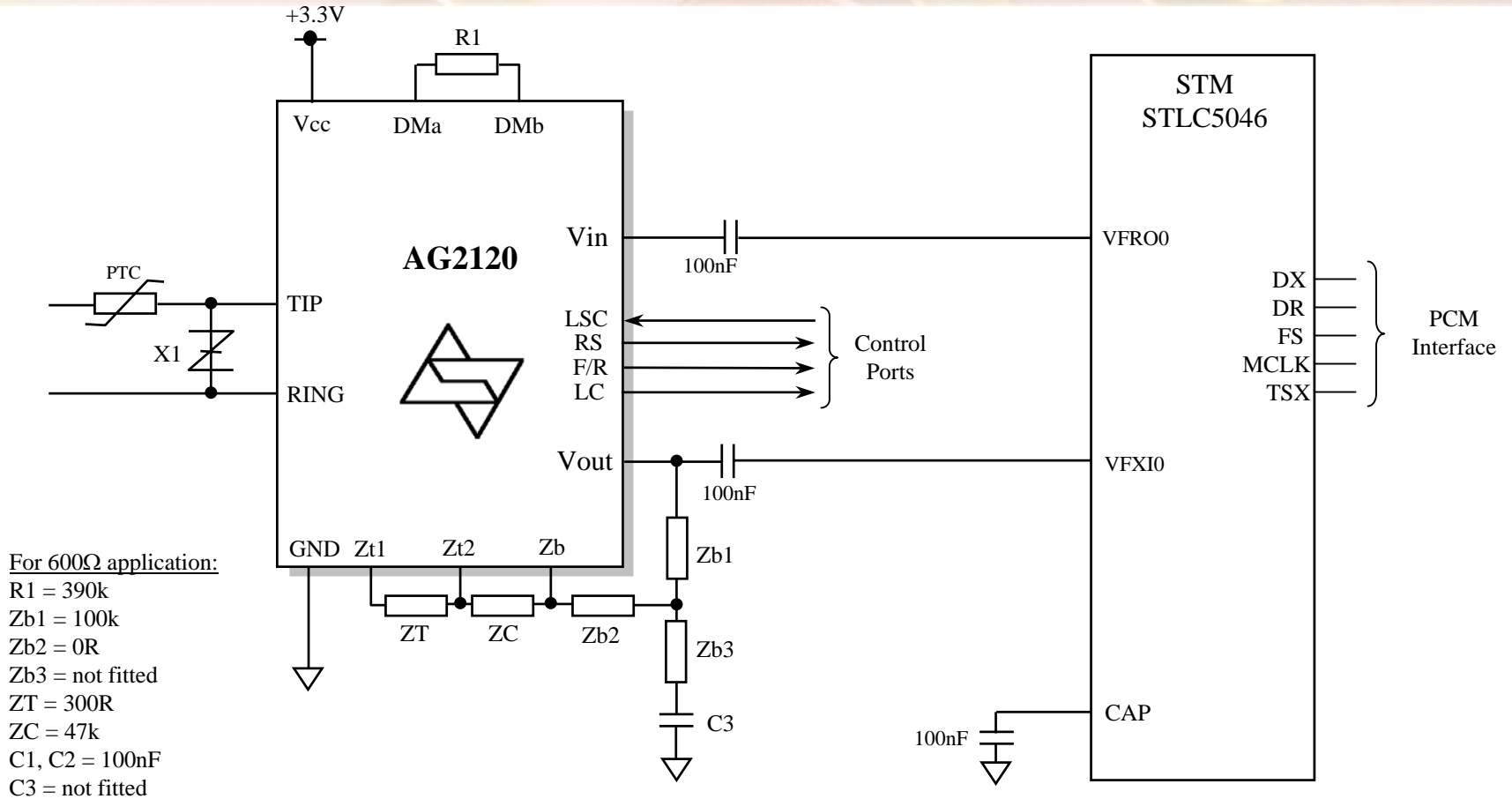


# Interfacing Ag2120 to STM STLC5046



Channel 0 connections shown – Four Ag2120's can be connected to the STLC5046