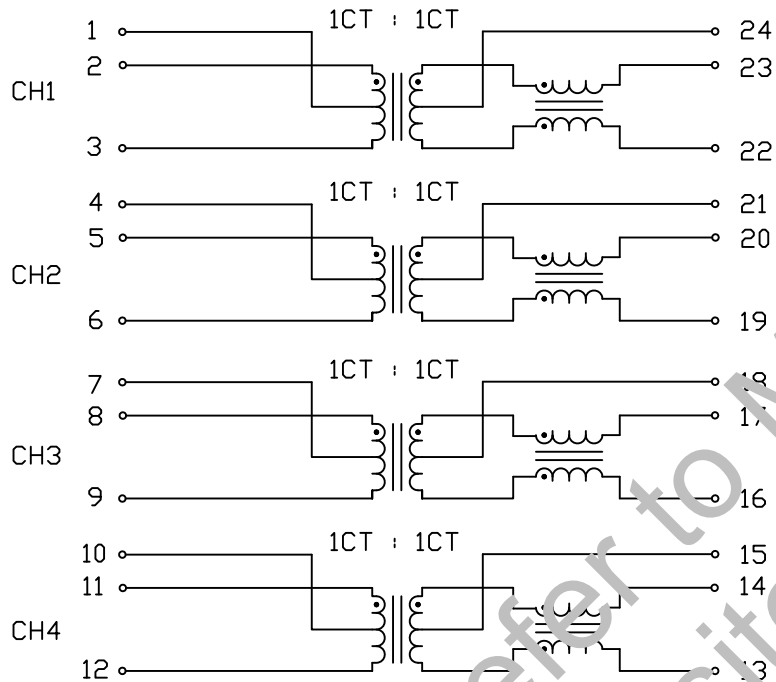


THE INFORMATION CONTAINED HEREIN IS CONSIDERED "PROPRIETARY" TO BEL FUSE INC. AND SHALL NOT BE COPIED, REPRODUCED OR DISCLOSED WITHOUT THE WRITTEN APPROVAL OF BEL FUSE INC.

PRELIMINARY



SCHEMATIC



ELECTRICAL SPECIFICATION @25°C

URNS RATIO

(2-3) : (23-22)
 (5-6) : (20-19)
 (8-9) : (17-16)
 (11-12) : (14-13)

1CT : 1CT
 1CT : 1CT
 1CT : 1CT
 1CT : 1CT

INSERTION LOSS

FREQ.(MHz)	1	2-300	400	500
dB MAX	0.3	1.0	1.5	2.0

RETURN LOSS

FREQ.(MHz)	1	2-300	400	500	600
dB MIN	18	20	15	12	9

CM TO DM REJECTION RATIO

FREQ.(MHz)	50	100	200	300	400	500
dB TYP	48	42	36	33	30	28

CM TO CM REJECTION RATIO

FREQ.(MHz)	50	100	200	300	400	500
dB TYP	30	27	24	22	21	20

HIPOT

1500Vrms

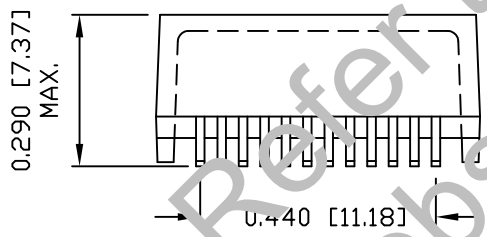
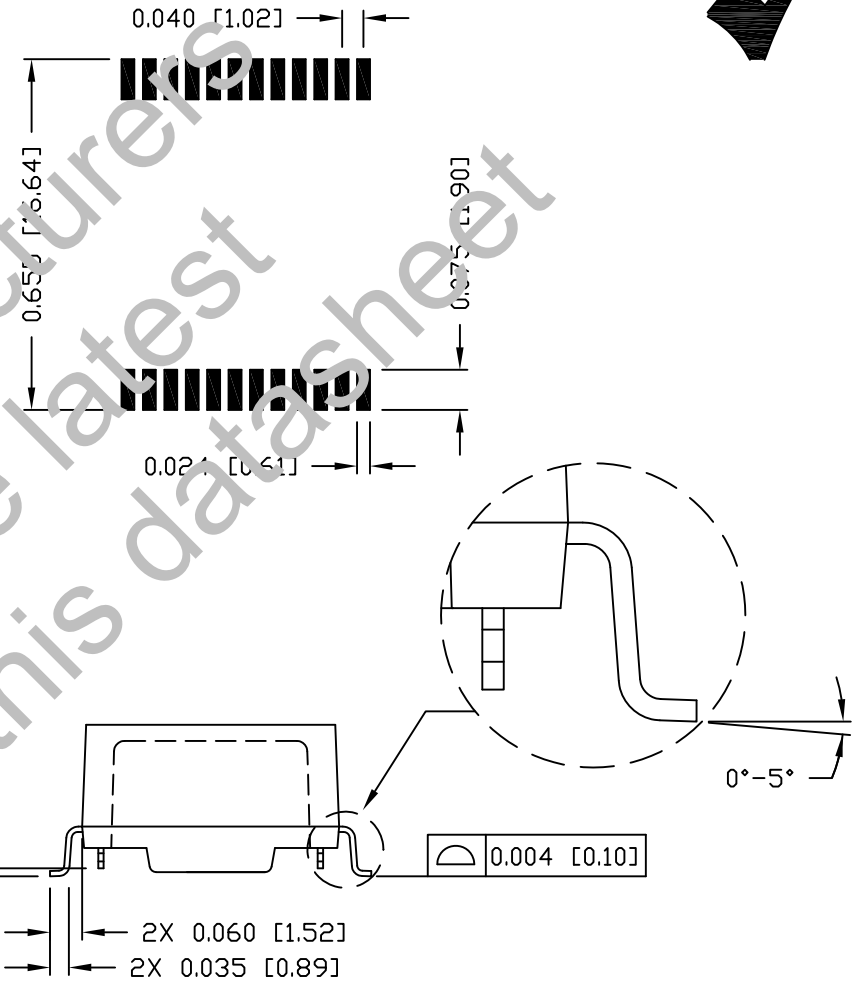
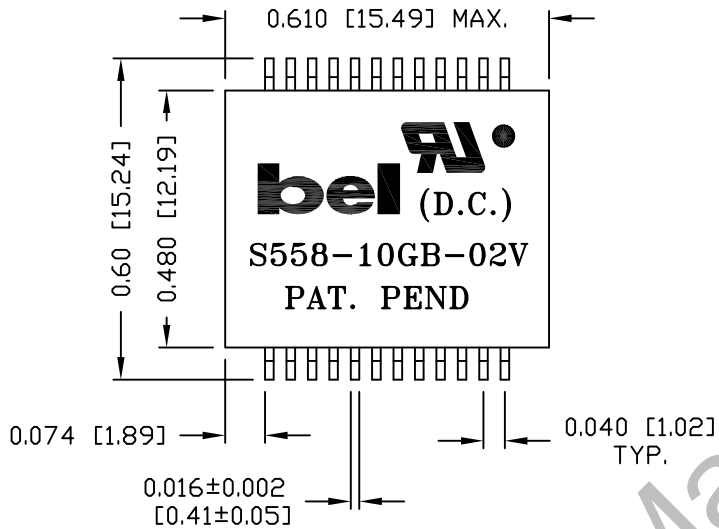
DESIGNED TO SUPPORT 57V, 100W APPLICATIONS WHEN USING ALL 4 CHANNELS

ORIGINATED BY J BERRY	DATE 04-30-12	TITLE ELECTRICAL SPECIFICATION	PART NO. / DRAWING NO. S558-10GB-02V	STANDARD DIM. TOL. IN INCH		[] METRIC DIM. AS REFERENCE		 COMPONENTS OR A CONNECTED PLANET
DRAWN BY J BERRY	DATE 04-30-12		FILE NAME S55810GB02V.DWG	.X		UNIT : INCH [mm]	REV. : X0	
				.XX		SCALE : N/A	SIZE : A4	
				.XXX			PAGE : 1	

THE INFORMATION CONTAINED HEREIN IS CONSIDERED 'PROPRIETARY' TO BEL FUSE INC. AND SHALL NOT BE COPIED, REPRODUCED OR DISCLOSED WITHOUT THE WRITTEN APPROVAL OF BEL FUSE INC.

PRELIMINARY

SUGGESTED PCB PAD LAYOUT



NOTES:

- STANDARD MARKING REFER TO DOC. HAND-WORK-04
- PACKAGE CODE: "QABS001A".

ORIGINATED BY	DATE	TITLE	PART NO. / DRAWING NO.	STANDARD DIM. TOL. IN INCH	[] METRIC DIM. AS REFERENCE	 COMPONENTS FOR A CONNECTED PLANET	
LAWRENCE TSANG	11-11-09	MECHANICAL OUTLINE	S558-10GB-02V	.X	UNIT : INCH [mm]		REV. : X0
DRAWN BY	DATE		FILE NAME	.XX	SCALE : N/A		SIZE : A4
XJ WANG	11-11-09		S55810GB02V.DWG	.XXX	±0.01		PAGE : 2
					±0.005		