

REVISIONS

REV.	DESCRIPTION	ECN NO.	DATE
01	FIRST RELEASE	N/A	04/10/07
02	CORRECT TYPO ERROR ON RECOMMENDED HOLE PATTERN	EE9337	05/22/07
03	UPDATE INTERNAL PAGE	EE9693	09/17/07

PAGE 5 IS FOR INTERNAL ONLY

TITLE  
 MODULAR JACK, RJ45, SINGLE,  
 TH, 1000BASE-T(PoE PLUS)

**WARNING !**

ALL SHEETS OF THIS DOCUMENT ARE CONTROLLED DOCUMENTATION AND ARE NOT TO BE RELEASED OUTSIDE OF E&E OR ITS SUB-CONTRACTORS WITHOUT AUTHORIZATION.

UNLESS OTHERWISE SPECIFIED, DIMENSIONS ARE IN INCH/mm.

TOLERANCE ARE:

INCH	mm	ANGLE
.XXX ± .005	.XX ± .13	X.X ± 0.3
.XX ± .02	.X ± .5	X. ± 1

APPROVALS

DATE

DRAWN BY S. CHUNG	09/17/07
PROJ. ENG J. YIP	09/17/07
APPROVED BY V. TSUI	09/17/07
Q.A. C.M. TSUI	09/17/07



E & E Magnetic Products Ltd.

DRAWING NO./MODEL

MJFR0369

REV

03

SCALE

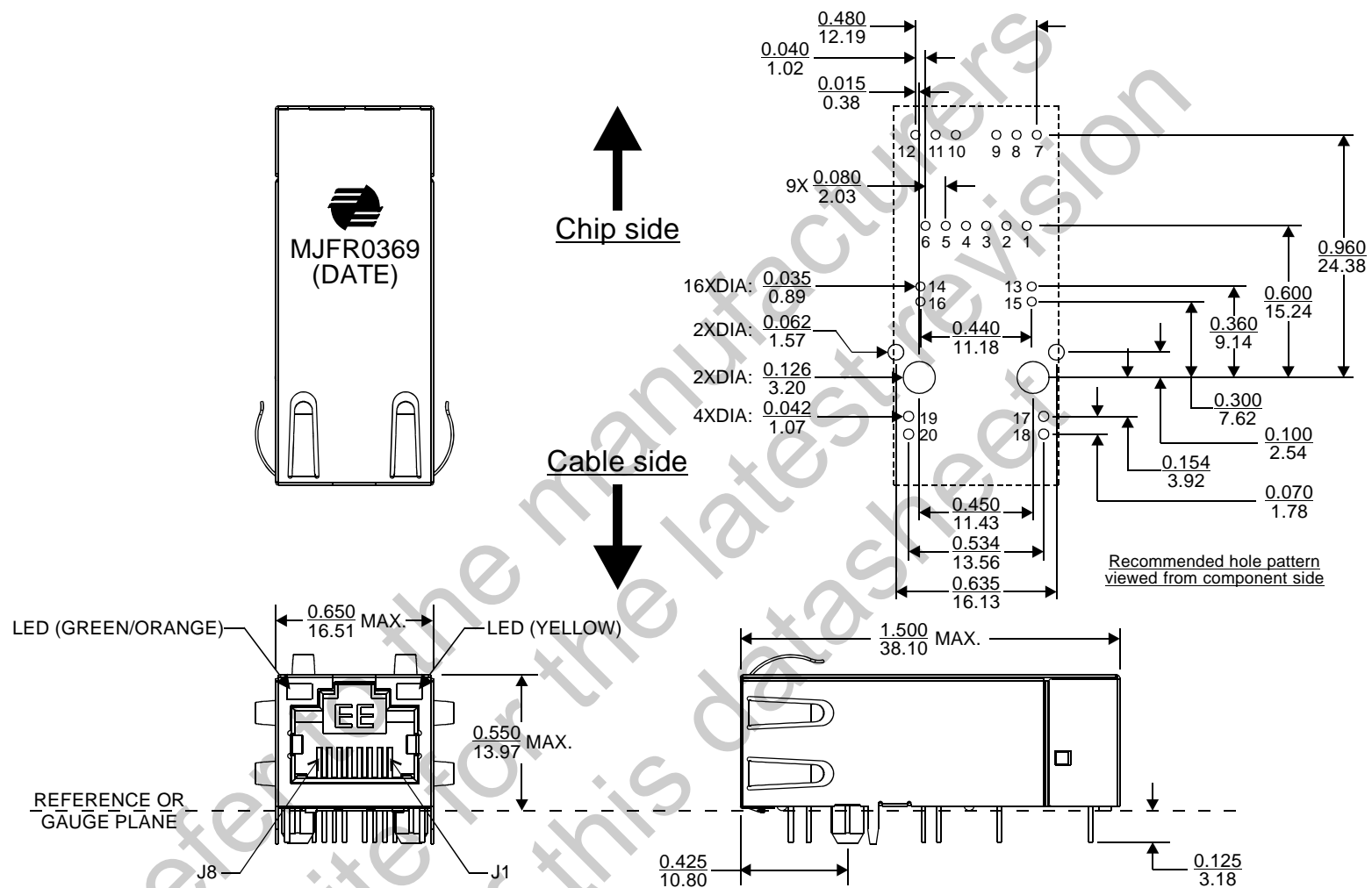
DO NOT SCALE

PAGE

1


OF

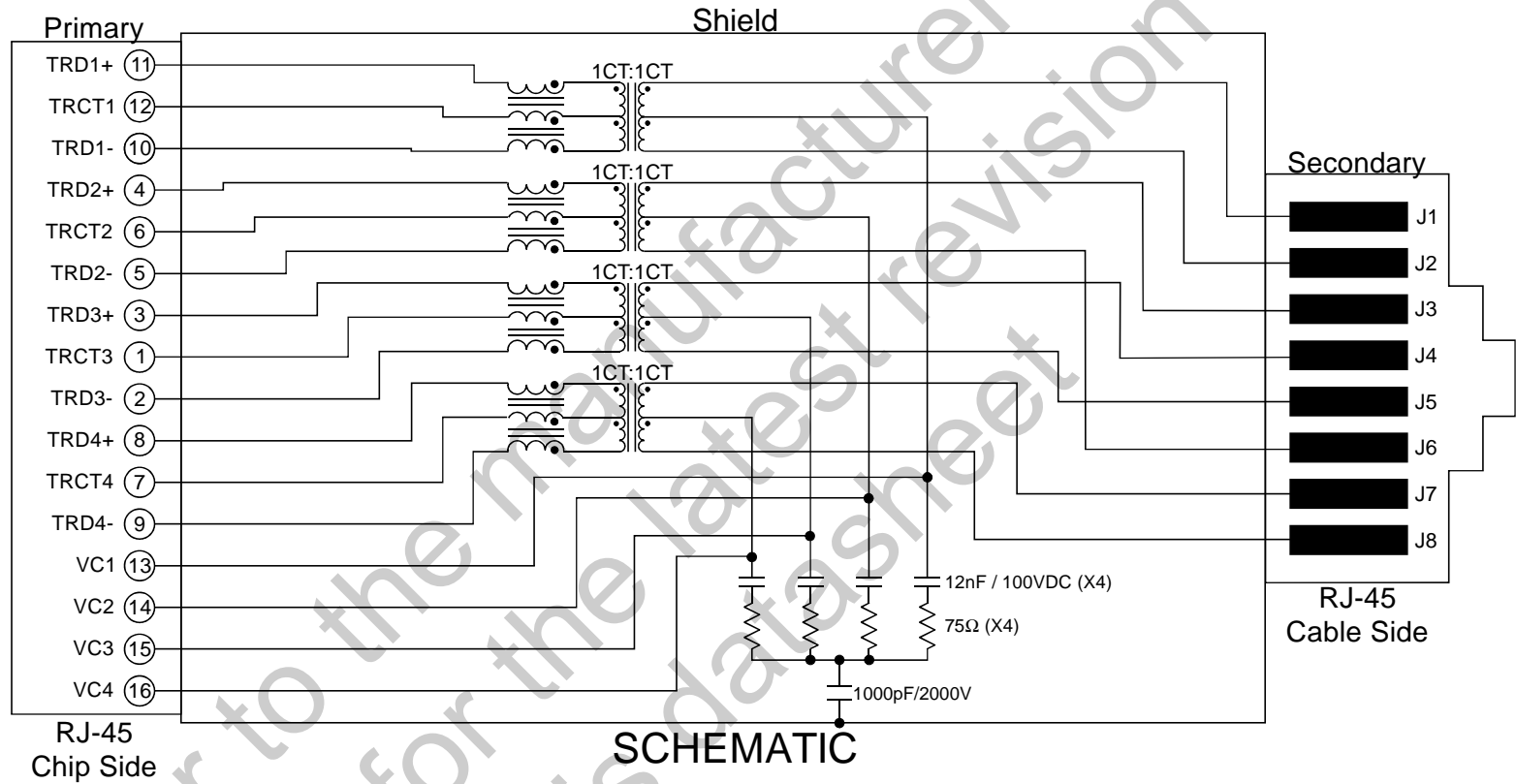
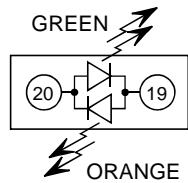
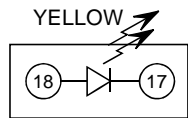
5




1. DIMENSIONS ARE SPECIFIED IN  $\frac{\text{INCHES}}{\text{mm}}$  WITH HIGHER PRECEDENCE IN INCHES.
2. UNLESS OTHERWISE SPECIFIED, ALL TOLERANCE ARE  $\pm \frac{.010}{0.25}$ .
3. "(DATE)" INCLUDES AT LEAST THE MANUFACTURING DATE CODE (IN YYWW FORMAT) PLUS TWO CHARACTER COUNTRY CODE.
4. 10 MICRO-INCH (0.25  $\mu\text{m}$ ) MIN. THICK GOLD PLATING OVER CONTACT AREA.
5. RoHS COMPLIANT PER EU DIRECTIVE 2002/95/EC (WITHOUT EXEMPTION OF SOLDER CONTENT).

## MECHANICAL OUTLINE

 <b>E &amp; E Magnetic Products Ltd.</b>	
DRAWING NO./MODEL	
<b>MJFR0369</b>	
REV	
<b>03</b>	
SCALE	PAGE OF
<b>DO NOT SCALE</b>	<b>2 OF 5</b>



Refer to the manufacturer's website for the latest revision of this datasheet

 <b>E &amp; E Magnetic Products Ltd.</b>		
DRAWING NO./MODEL		REV
<b>MJFR0369</b>		<b>03</b>
SCALE	PAGE	OF
<b>DO NOT SCALE</b>	<b>3</b>	<b>5</b>

### ELECTRICAL SPECIFICATION @25°C:

PARAMETERS	UNIT	EACH CHANNEL
Turns Ratio (Primary):(Secondary)	-	1CT:1CT ± 3%
Polarity (Primary):(Secondary)	-	Per Schematic
Inductance, Ls(Primary) @100kHz, 0.1Vrms, 18.5mADC	uH	350 Min
Insertion Loss @1-100MHz	dB	1.0 Max
Insertion Loss @100-125MHz	dB	2.0 Max
Return Loss @1-40MHz	dB	18.0 Min
7. Return Loss @40-100MHz	dB	12-20Log(F/80) Min
CMRR @0.1-100MHz (for refer. only)	dB	30.0 Min
CM-DMRR @0.1-100MHz (for refer. only)	dB	35.0 Min
Crosstalk @0.1-100MHz, between channels (for refer. only)	dB	30.0 Min
HIPOT (Primary):(Secondary)	Vrms	1500 Min

6. OPERATING TEMPERATURE : 0°C TO +70°C.

7. "F" REPRESENTS THE TEST FREQUENCY SPECIFIED IN MHZ.

8. BALANCED DC LINE CURRENT CAPABILITY (J1,J2-13) & (J3,J6-14) : 720mADC MAXIMUM (CONTINUOUS).

9. BALANCED DC LINE CURRENT CAPABILITY (J4,J5-15) & (J7,J8-16) : 720mADC MAXIMUM (CONTINUOUS).

### LED SPECIFICATION @20mA FORWARD CURRENT

Color	GREEN	ORANGE	YELLOW
Wavelength	565nm Typ	607nm Typ	590nm Typ
Forward Voltage	2.2V Typ	2.05V Typ	2.1V Typ



E & E Magnetic Products Ltd.

DRAWING NO./MODEL

**MJFR0369**

REV

**03**

SCALE

**DO NOT SCALE**

PAGE

**4**

OF

**5**