

SAFETY CRITICAL PART		REVISIONS			
MATERIAL LIST IS REQ'D?	YES	REV.	DESCRIPTION	ECN NO.	DATE
AGENCY FILE / CERTIFICATE NUMBER		01	FIRST RELEASE	N/A	05/06/04
UL 1863	E230849	02	UPDATED TABLE CONTENT OF MATERIAL COMPOSITION	EE6356	04/07/05
CAN/CSA-C22.2 NO.182-4-M90.1990	E230849				

**PART NUMBER CONFIGURATION**

MJX11UXXX8-VB110

Gold plating thickness over contact area.  
 "A" : 10 micro-inch min.  
 "B" : 50 micro-inch min.  
 "C" : 30 micro-inch min.

LED Color (right)  
 Color code refer to right LED.

LED Color (left)  
 "G" : Green      "D" : Bi-color (Orange / Green)  
 "Y" : Yellow     "L" : Bi-color (Yellow / Green)  
 "N" : No LED

Panel-tab configuration  
 "1" : Without panel-tab.  
 "2" : With panel-tab on top, bottom, left & right sides.

Material composition option  
 "-" : Standard Version, with Lead(Pb).  
 "R" : RoHS compliant per EU Directive 2002/95/EC.  
 "F" : RoHS compliant per EU Directive 2002/95/EC(without exemption of solder content).

**PAGE 5 & 6 ARE FOR INTERNAL ONLY**


TITLE  
 MODULAR JACK, RJ45, SINGLE,  
 THRU-HOLE, 100BASE-T, NIC

**WARNING !**  
 ALL SHEETS OF THIS DOCUMENT ARE CONTROLLED DOCUMENTATION AND ARE NOT TO BE RELEASED OUTSIDE OF E&E OR ITS SUB-CONTRACTORS WITHOUT AUTHORIZATION.

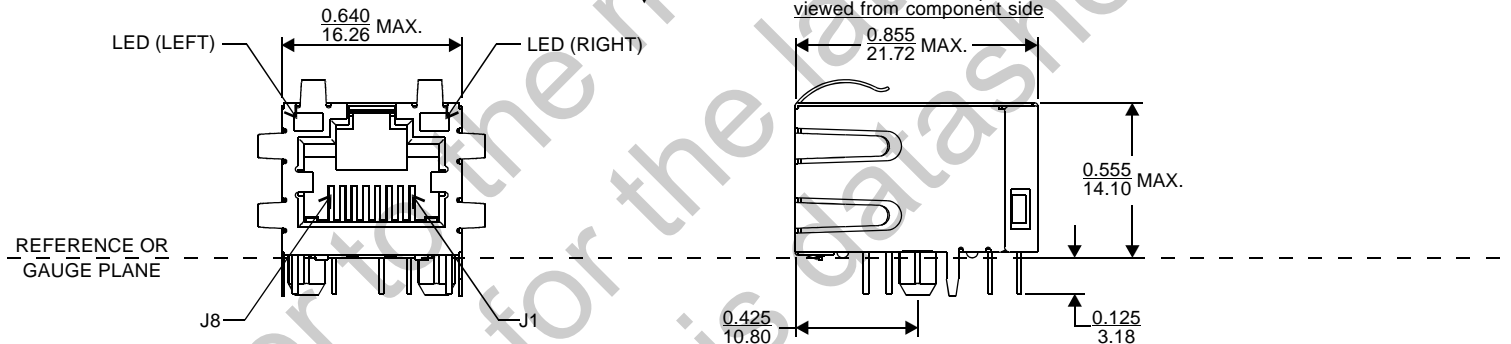
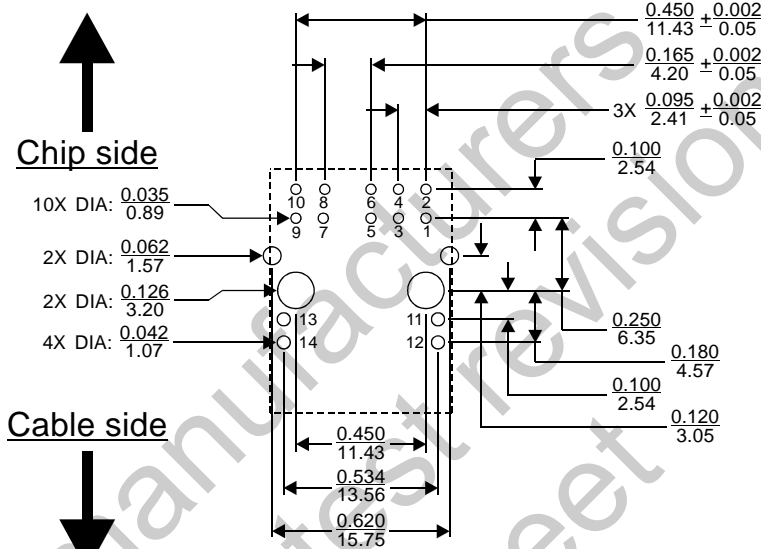
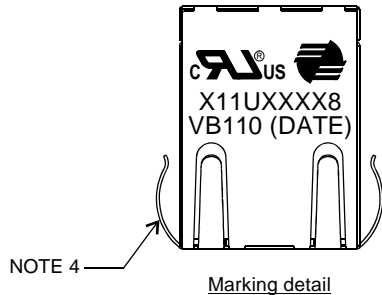
UNLESS OTHERWISE SPECIFIED, DIMENSIONS ARE IN INCH/mm.  
 TOLERANCE ARE:  

INCH	mm	ANGLE
.XXX ± .005	.XX ± .13	X.X ± 0.3
.XX ± .02	.X ± .5	X. ± 1

APPROVALS	DATE
DRAWN BY C.W. TSANG	04/07/05
PROJ. ENG J.YIP	04/07/05
APPROVED BY V. TSUI	04/07/05
Q.A. C.M. TSUI	04/07/05

 **E & E Magnetic Products Ltd.**

DRAWING NO./MODEL		REV
<b>MJX11UXXX8-VB110</b>		<b>02</b>
SCALE	PAGE	OF
<b>DO NOT SCALE</b>	<b>1</b>	<b>6</b>



NOTES:

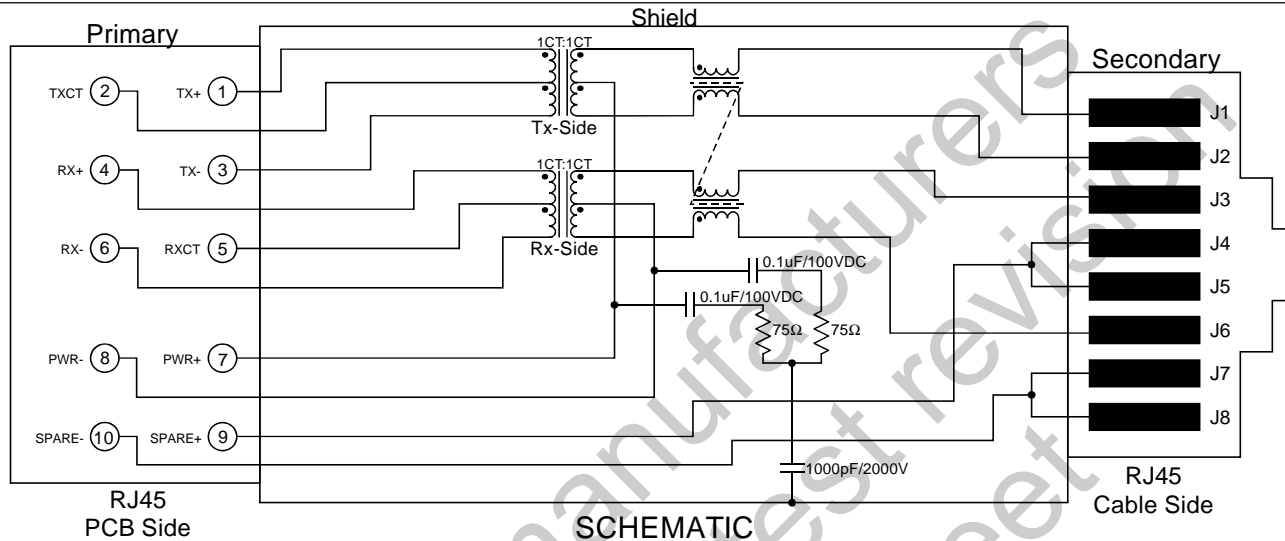
1. DIMENSIONS ARE SPECIFIED IN  $\frac{\text{INCHES}}{\text{mm}}$  WITH HIGHER PRECEDENCE IN INCHES.
2. UNLESS OTHERWISE SPECIFIED, ALL TOLERANCE ARE  $\pm \frac{0.10}{0.25}$ .
3. "(DATE)" INCLUDES AT LEAST THE MANUFACTURING DATE CODE (IN YYWW FORMAT) PLUS TWO CHARACTER COUNTRY CODE.
4. PANEL TABS ARE OPTIONAL. PLEASE REFER TO COVER PAGE FOR DETAILS.
5. OMIT PINS 11, 12, 13, 14 FOR NO LED VERSION.
6. THE MARKING OF PART NUMBER DIRECTLY REFER TO ITS PART NUMBER. THE LETTER BEFORE "11U..." EXISTS ONLY FOR RoHS COMPLIANT VERSION. FOR EXAMPLE, FOR PART NUMBER "MJF11U2GYA8-VB110", THE MARKING DETAIL WILL BE "F11U2GYA8-VB110". FOR PART NUMBER "MJ-11U2GGA8-VB110", THE MARKING DETAIL WILL BE "11U2GGA8-VB110".

MECHANICAL OUTLINE



E & E Magnetic Products Ltd.

DRAWING NO./MODEL		REV
MJX11UXXX8-VB110		02
SCALE	PAGE	OF
DO NOT SCALE	2	6




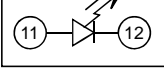
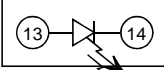
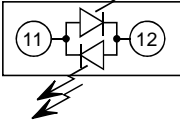
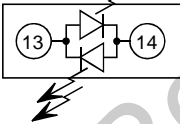
**ELECTRICAL SPECIFICATION @25°C:**

PARAMETERS	UNIT	TX-SIDE	RX-SIDE
Turns Ratio (Primary):(Secondary)	-	1CT:1CT ± 3%	1CT:1CT ± 3%
Polarity (Primary):(Secondary)	-	Per Schematic	Per Schematic
Inductance, Ls@100kHz, 0.1Vrms, 8mADC	uH	350 Min	350 Min
Insertion Loss @0.1-100MHz	dB	1.2 Max	1.2 Max
Return Loss @1-30MHz	dB	16.0 Min	16.0 Min
Return Loss @40MHz	dB	14.0 Min	14.0 Min
Return Loss @50MHz	dB	13.0 Min	13.0 Min
Return Loss @60-80MHz	dB	12.0 Min	12.0 Min
CMRR @32MHz (for reference only)	dB	42.0 Min	42.0 Min
CMRR @62MHz (for reference only)	dB	37.0 Min	37.0 Min
CMRR @100MHz (for reference only)	dB	33.0 Min	33.0 Min
Crosstalk @0.1-100MHz (TX<=>RX) (for reference only)	dB	33.0 Min	
HIPOT (Primary):(Secondary)	Vrms	1500 Min	1500 Min

7. OPERATING TEMPERATURE : 0°C TO +70°C.

8. BALANCED DC LINE CURRENT CAPABILITY (J1,J2-7) & (J3,J6-8) & (J4,J5-9) & (J7,J8-10) : 350mADC MAXIMUM.

 <b>E &amp; E Magnetic Products Ltd.</b>		
DRAWING NO./MODEL		REV
<b>MJX11UXXXX8-VB110</b>		<b>02</b>
SCALE	PAGE	OF
<b>DO NOT SCALE</b>	<b>3</b>	<b>6</b>

LED	COLOR AND POLARITY							
LED (RIGHT)   LED (LEFT) 	LED (LEFT)				LED (RIGHT)			
	COLOR CODE	COLOR	POLARITY		COLOR CODE	COLOR	POLARITY	
			PIN 13	PIN 14			PIN 11	PIN 12
	G	GREEN	+	-	G	GREEN	+	-
Y	YELLOW	+	-	Y	YELLOW	+	-	
BI-COLOR LED	COLOR AND POLARITY							
LED (RIGHT)   LED (LEFT) 	LED (LEFT)				LED (RIGHT)			
	COLOR CODE	COLOR	POLARITY		COLOR CODE	COLOR	POLARITY	
			PIN 13	PIN 14			PIN 11	PIN 12
	D	GREEN	+	-	D	GREEN	+	-
		ORANGE	-	+		ORANGE	-	+
	L	GREEN	+	-	L	GREEN	+	-
YELLOW		-	+	YELLOW		-	+	

**LED SPECIFICATION @20mA FORWARD CURRENT**

Color	GREEN	YELLOW	ORANGE
Wavelength	565nm Typ	590nm Typ	607nm Typ
Forward Voltage	2.5V Max	2.5V Max	2.5V Max
Forward Voltage	2.2V Typ	2.1V Typ	2.05V Typ



E & E Magnetic Products Ltd.

DRAWING NO./MODEL

**MJX11UXXX8-VB110**

REV

**02**

SCALE

**DO NOT SCALE**

PAGE

**4**

OF

**6**