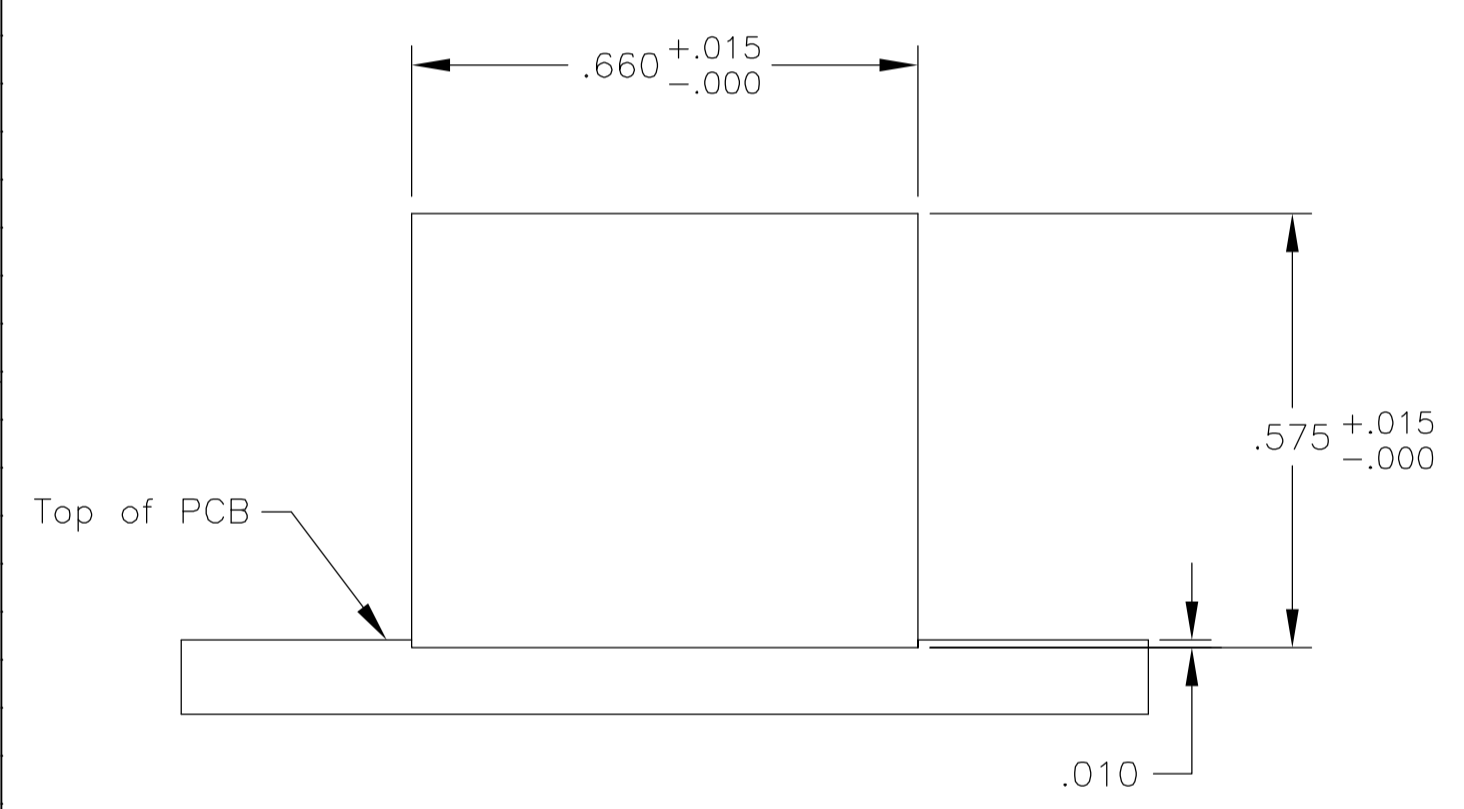
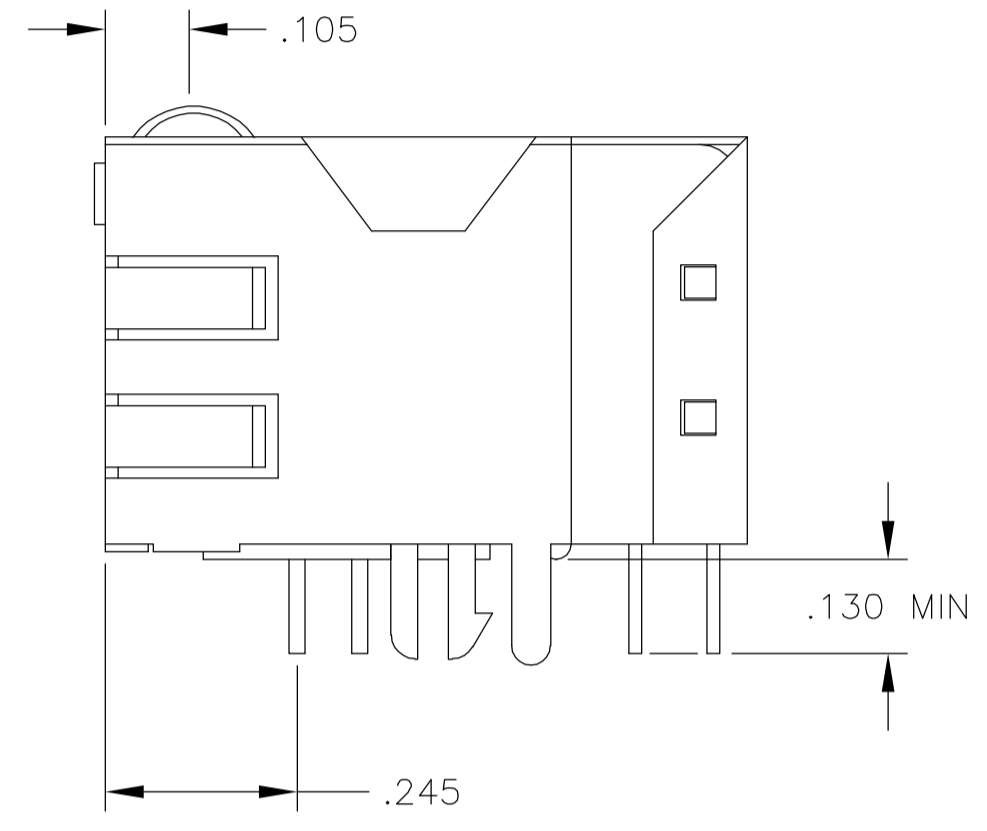
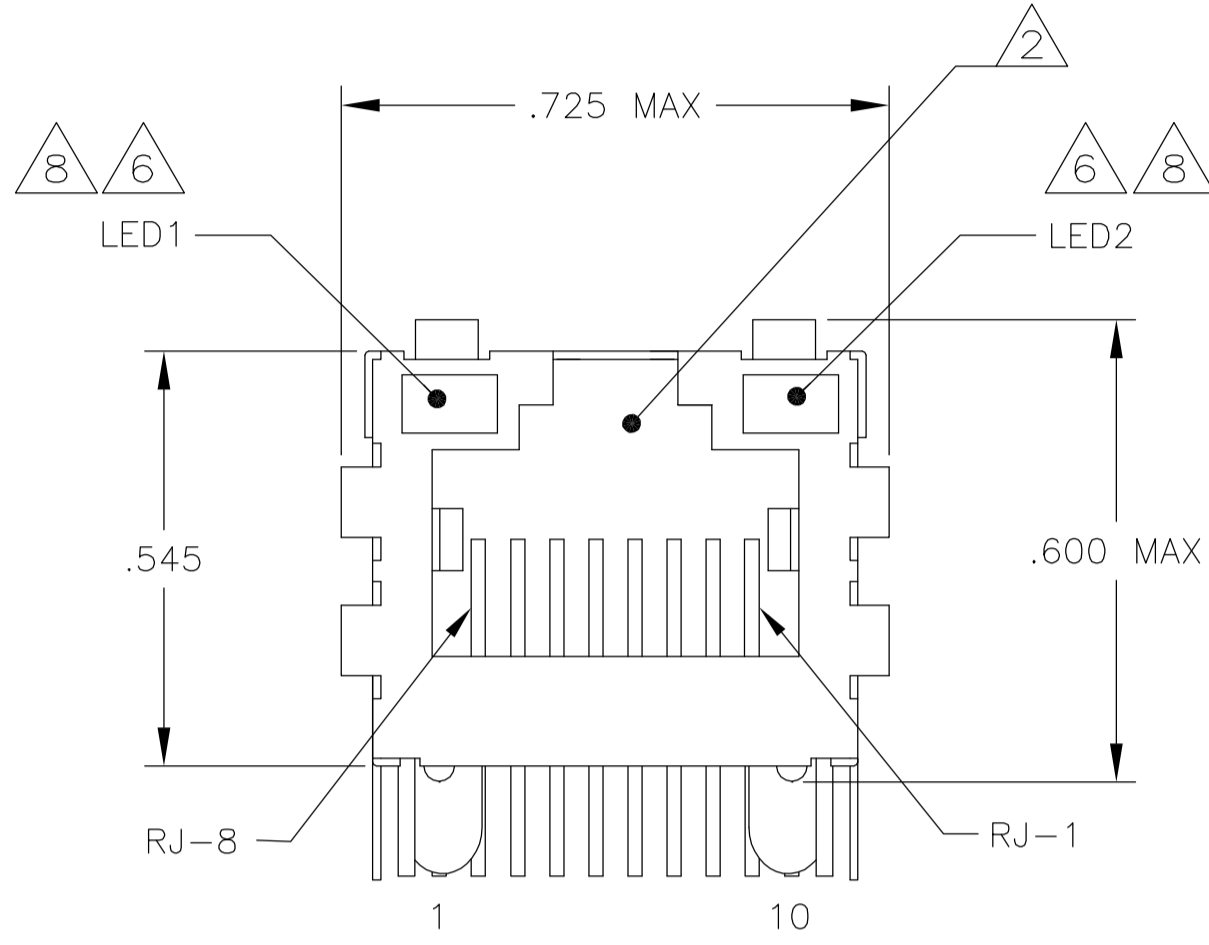
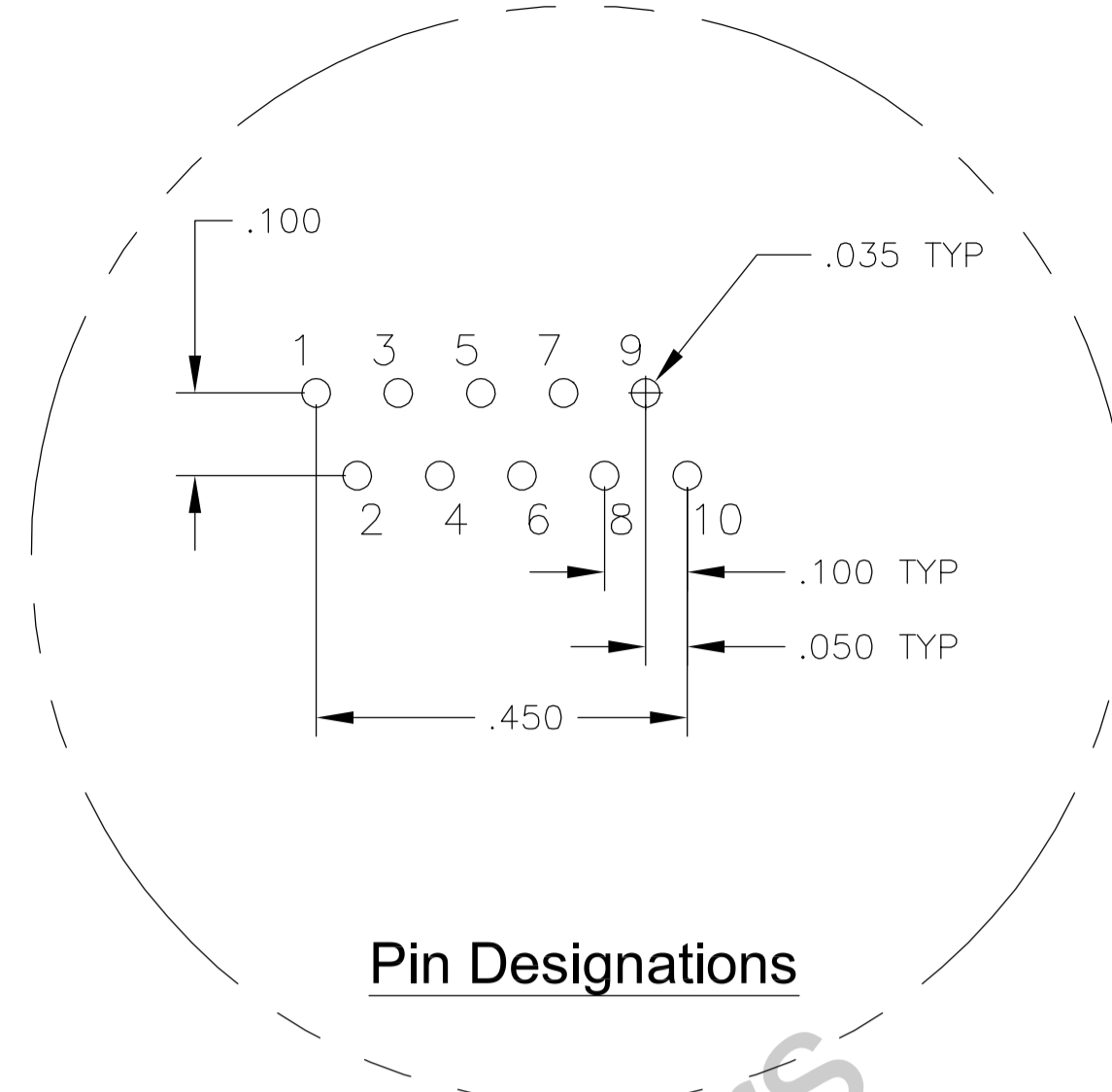
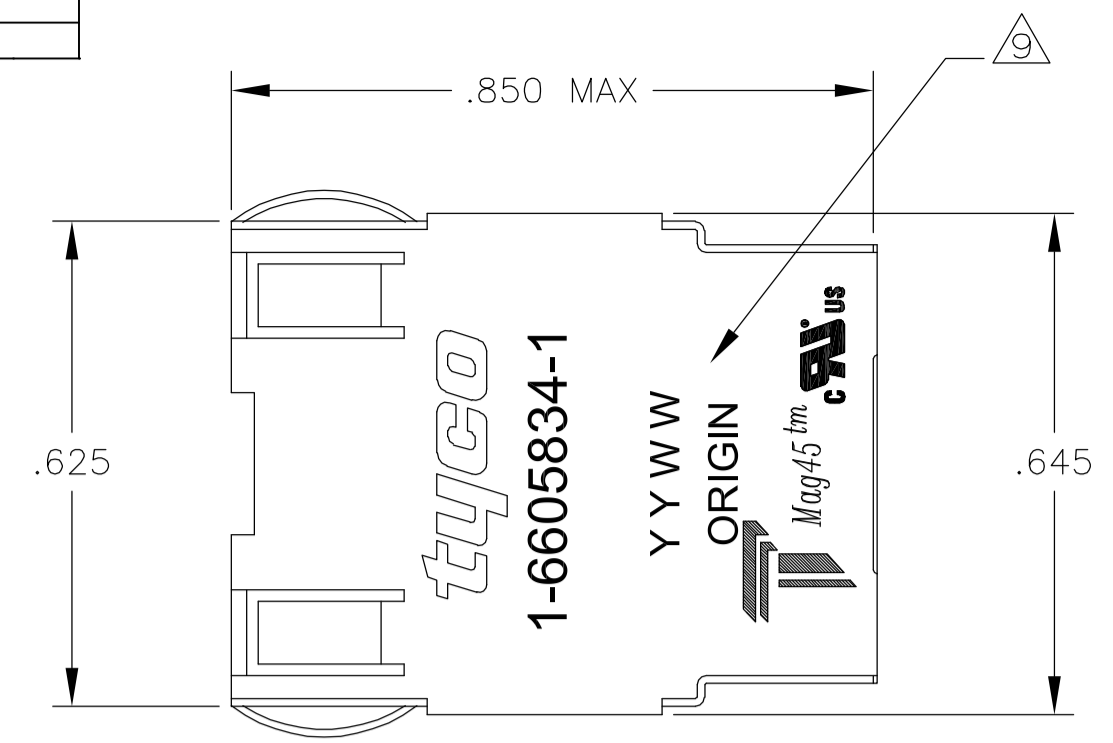


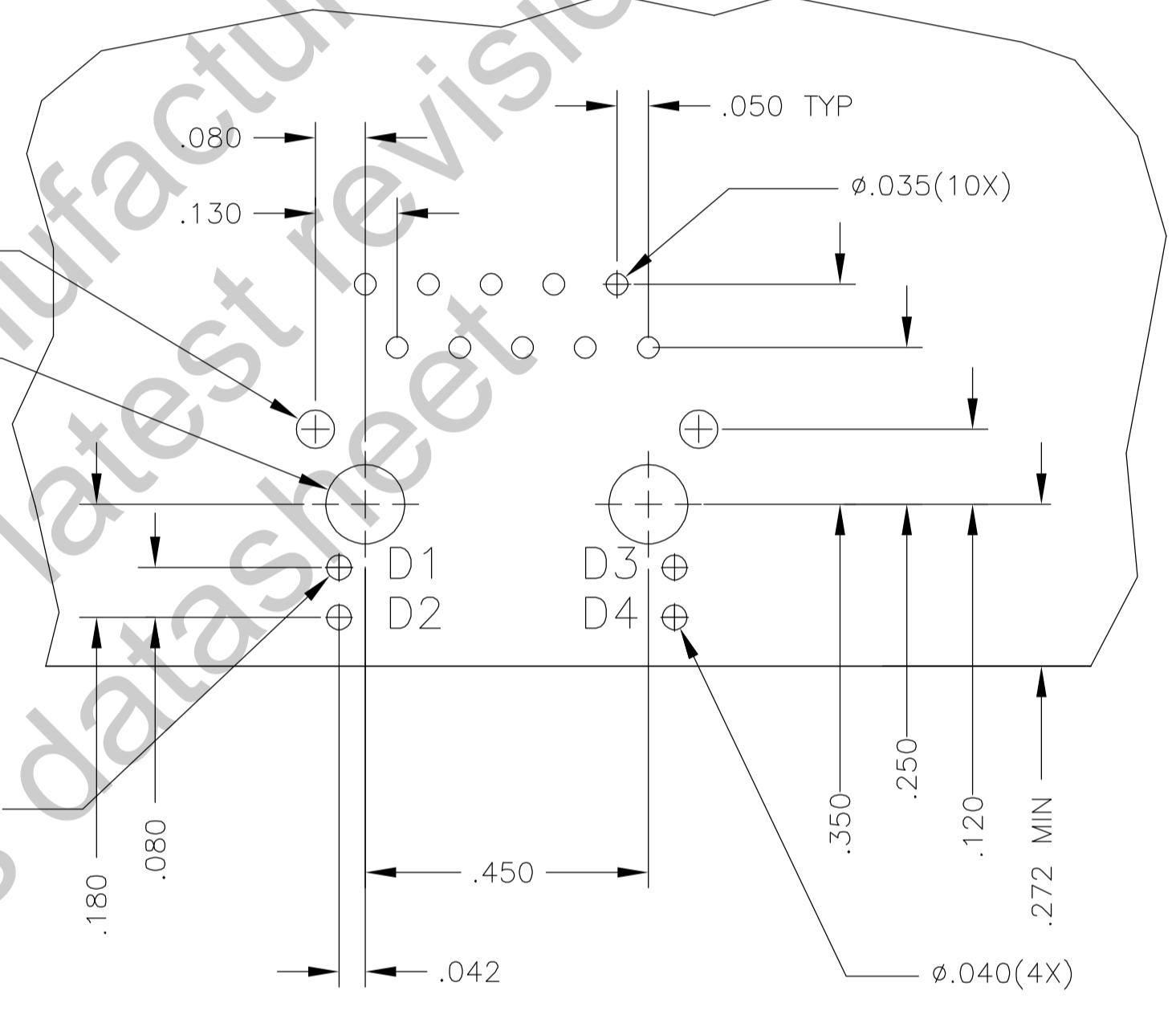
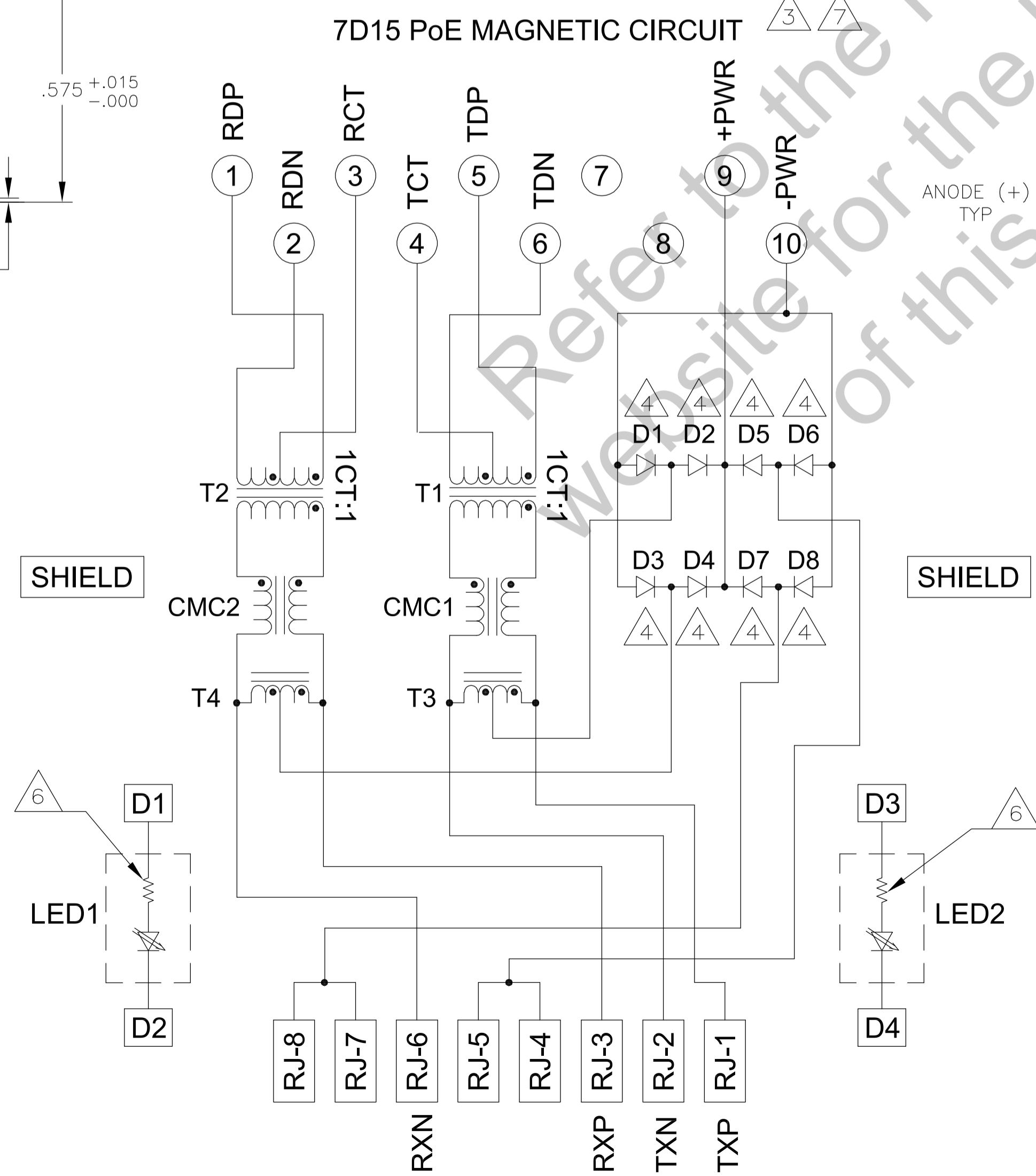
LOC	DIST	REVISIONS			
AA	22	REV	PER	EC	OS13-0644-04
					04MAR2005
					LV
					DF

MECHANICAL:



Suggested Panel Cutout

ELECTRICAL:
7D15 PoE MAGNETIC CIRCUIT



**Suggested PCB Layout
 (Component Side)**

- 1 MATERIALS:
 - HOUSING - THERMOPLASTIC PET POLYESTER FLAMMABILITY RATING UL 94V-0.
 - SHIELD - .010" THICK, C26800 BRASS PREPLATED WITH 30μINCH MIN SEMI-BRIGHT NICKEL, SOLDER TABS POST DIPPED WITH 100μINCH MIN SAC SOLDER.
 - MOD JACK CONTACTS - 0.0157" x 0.018" PHOSPHOR BRONZE, 50μINCH MIN OVERALL NICKEL UNDERPLATE, WITH SELECT 50μINCH MIN HARD GOLD FINISH PLATE. SOLDER TAILS WITH 100μINCH MIN MATTE TIN AND/OR SAC SOLDER DIP.
 - LIGHT EMITTING DIODE(LED) - DIFFUSED EPOXY LENS, .020" x .020" CARBON STEEL WIREFRAME LEADS PRE-PLATED WITH 80μINCH SILVER OVER 40μINCH NICKEL UNDERPLATE OVER 40μINCH COPPER UNDERPLATE, POST-PLATED WITH 100μINCH MIN MATTE TIN AND/OR SAC SOLDER DIP OR PURE TIN SOLDER DIP.
- 2 RJ45 JACK CAVITY CONFORMS TO FCC RULES AND REGULATIONS PART 68, SUB PART F.
- 3 MAGNETICS
 - IMPEDANCE: 100 OHMS
 - TURNS RATIO (CHIP:CABLE): TX = 1:1, RX = 1:1
 - OPEN CIRCUIT INDUCTANCE (OCL): 350μH MIN @100kHz, 0.1VRMS, 8mADC BIAS FROM 0°C TO 70°C, TX AND RX
 - POE CURRENT: 350mADC MAX
 - PERFORMANCE @ 25°C:
 - INSERTION LOSS (IL): 1.1dB MAX FROM 0.5MHZ TO 100MHZ
 - RETURN LOSS (RL): 18dB MIN FROM 0.5MHZ TO 30MHZ
 - 18-20LOG(f/30)dB MIN FROM 30.1MHZ TO 60MHZ
 - 12dB MIN FROM 60.1MHZ TO 80MHZ
 - CROSSTALK ATTENUATION: 35dB MIN FROM 0.5MHZ TO 40MHZ
 - 33-20*LOG(f/50)dB MIN FROM 40.1MHZ TO 100MHZ
 - COMMON MODE REJECTION RATIO (CMRR): 30dB MIN FROM 0.5MHZ TO 100MHZ
 - ISOLATION VOLTAGE: COMPLIES WITH IEEE802.3af 2003, PARA 33.4.1, ITEM a.
- 4 D1-D8 = RECTIFIER DIODE
 - FORWARD VOLTAGE, Vf = 1.2V MAX @ If = 0.5A
 - FORWARD CURRENT, If = 0.5A MAX
 - REVERSE VOLTAGE, Vr = 80V MAX
- 5. OPERATING TEMPERATURE: FROM 0°C TO +70°C.
- 6 LED COMPLIANT WITH IEC60825-1 SAFETY OF LASER PRODUCTS. WHEN OPERATED UP TO 20 mA. THE 250 OHM RESISTOR IS INCLUDED IN THE LEDs.
- 7 INDICATED CONNECTIONS ARE FOR NIC CONFIGURATION. THE MAGNETICS ARE SYMMETRICAL, AND ARE AUTO-MDI/MDIX CAPABLE.
- 8 LED PEAK WAVELENGTH: GREEN(λ) = 565nm
 YELLOW(λ) = 585nm
- 9 TRADEMARK, PART NUMBER, DATE CODE, COUNTRY OF ORIGIN AND AGENCY APPROVAL MARKING IN APPROXIMATE LOCATION SHOWN.

GREEN	GREEN	1-6605834-1
GREEN	YELLOW	6605834-1
LED1/6	LED2/6	PART NUMBER

THIS DRAWING IS A CONTROLLED DOCUMENT.		DIN L VARELA - 04MAR2005		Tyco Electronics Corporation	
DIMENSIONS: INCHES		CHK D FAROLE - 04MAR2005		Harrisburg, PA 17105-3608	
TOLERANCES UNLESS OTHERWISE SPECIFIED:		APVD D FAROLE - 04MAR2005		NAME	
0 PLC	± -	1X1 MAG45(TM), MODULAR JACK, 7DN2 SCHEMATIC, 7D15 PoE CIRCUIT, SHIELDED, WITH RESISTOR LEADS			
1 PLC	± -	PRODUCT SPEC			
2 PLC	± .010	APPLICATION SPEC			
3 PLC	± .005	SIZE			
4 PLC	± -	CAGE CODE			
ANGLES	± -	DRAWING NO			
MATERIAL		WEIGHT		RESTRICTED TO	
FINISH		A1 00779		C=6605834	
CUSTOMER DRAWING		SCALE		SHEET 1 of 1	
		NTS		REV A	