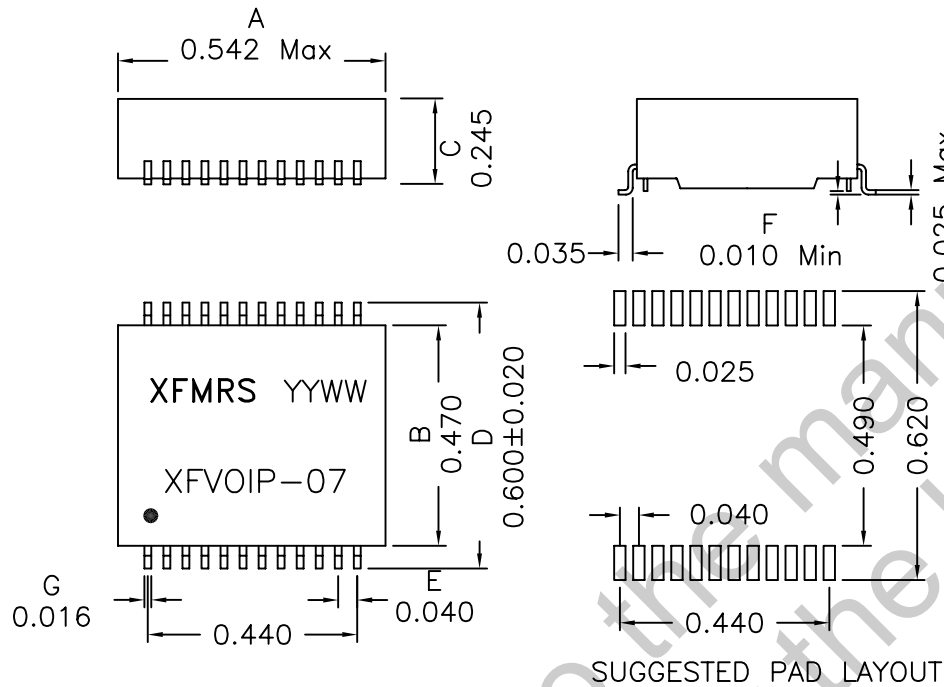


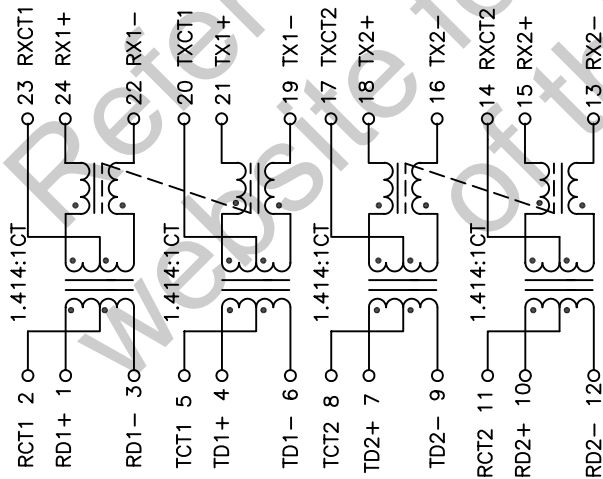
### 1. Dimensions:



### 3. Electrical Specifications: @25°C

- ISOLATION: 1500 Vrms
- INSERTION LOSS: -1.2dB MAX @1MHz-100MHz
- PRI OCL: 350 uH Min @100KHz 100mV 8mADC
- CWW: 25pF Typ @100KHz, 0.1V Pri to Sec
- PRI DCR: 0.900 Ohms Max
- RETURN LOSS: 16dB Min @1-30MHz
  - 14dB Min @40MHz
  - 13dB Min @50MHz
  - 12dB Typ @60-80MHz
- Differential to Common Mode Rejection:
  - 50dB Min @30MHz
  - 43dB Min @60MHz
  - 35dB Min @100MHz
- Crosstalk: -45dB Min @30MHz
  - 40dB Min @60MHz
  - 35dB Min @100MHz
- Rated Current: 350mA

### 2. Schematic:



**PRELIMINARY**

**Notes:**

1. Solderability: Leads shall meet MIL-STD-202, Method 208D for solderability.
2. Flammability: UL94V-0
3. ASTM oxygen index: > 28%
4. Insulation System: Class F 155°C. UL file E151556
5. Operating Temperature Range: All listed parameters are to be within tolerance from -40°C to +85°C
6. Storage Temperature Range: -55°C to +125°C
7. Aqueous wash compatible

DOC. REV: A/1

<b>XFMRS Inc</b>	Title: 10/100TX DUAL MAGNETICS MODULES		
	UNLESS OTHERWISE SPECIFIED TOLERANCES: .xxx ±0.010 Dimensions in INCH	P/N: XFVOIP-07	REV. A
	DWN.	刘 鹏	Jun-19-03
	CHK.	李小锋	Jun-19-03
SCALE 2:1 SHT 1 OF 1	APP.	MS	Jun-19-03